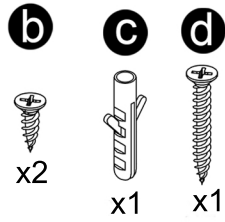
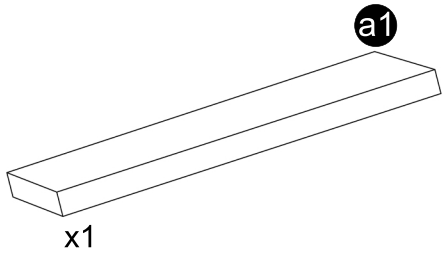
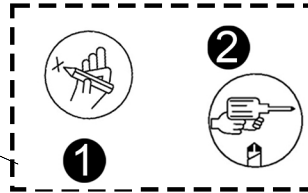
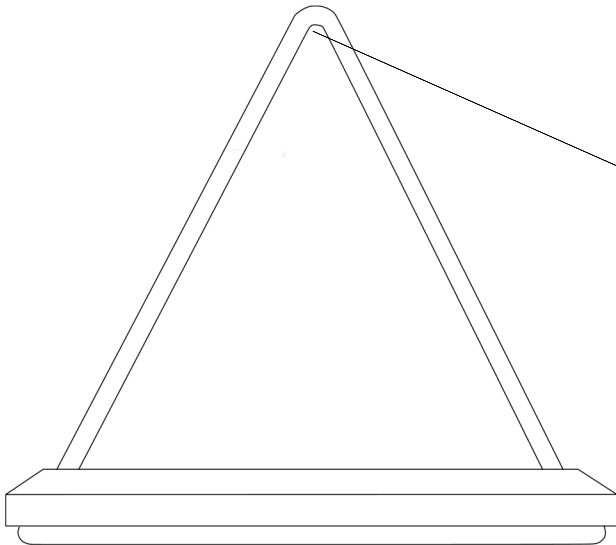


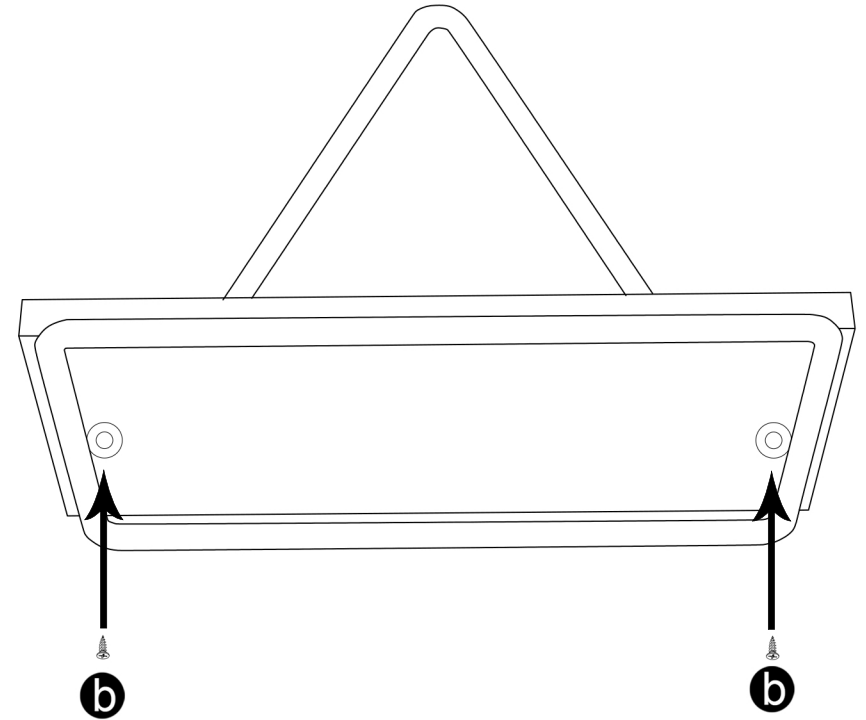
# ACCESSORIES LIST



**1** Mark the hole locations by aligning the wire rack to the wall.



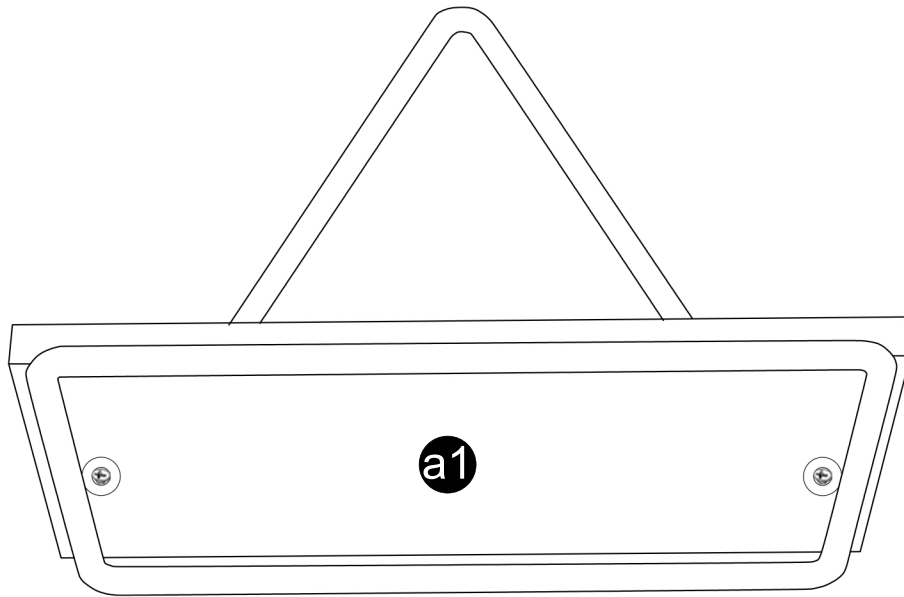
**2** Drill the areas you marked.



Screw the wooden shelves into the screw slots on the wire.

# DECORATIVE WALL SHELF

## Assembly Guide



Hang the rack you prepared into the wall dowels by screwing.

